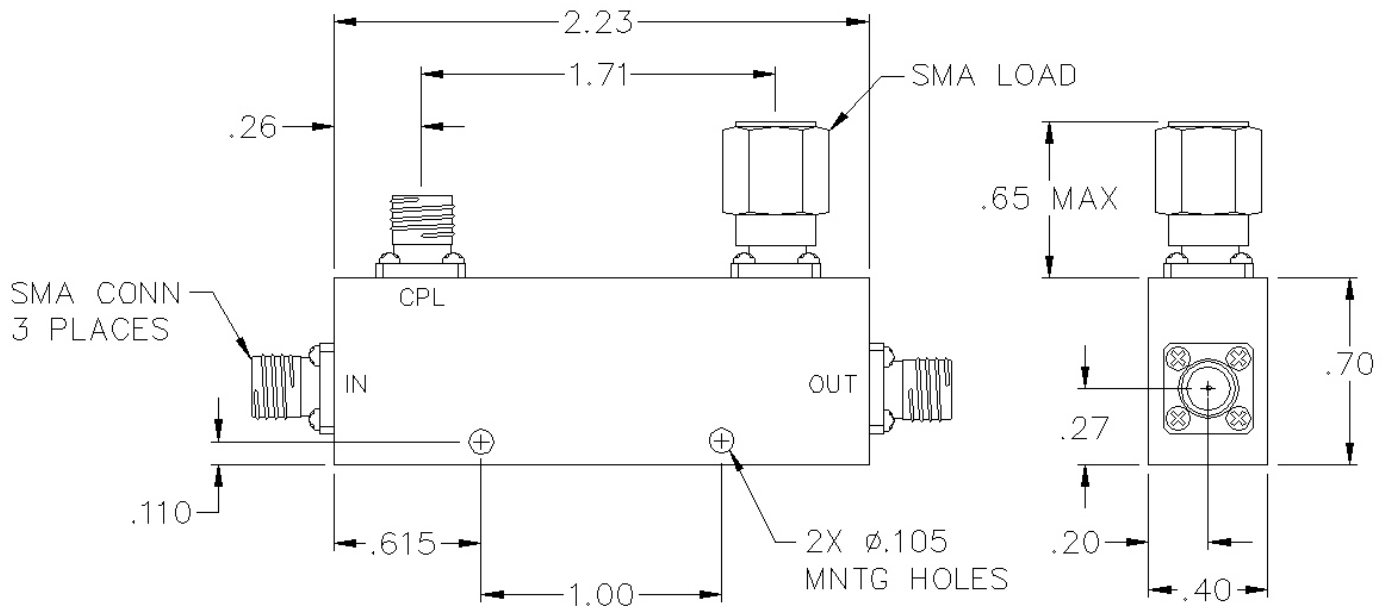


CS06-04-436/13

6 DB SMA DIRECTIONAL COUPLER



SPECIFICATIONS

| | |
|--------------------|--------------------|
| Name: | CS06-04-436/13 |
| Frequency Range: | 1-4 GHz |
| Coupling: | 6.0 \pm 1.00 dB |
| Coupling Flatness: | \pm 0.75 dB max. |
| Insertion Loss: | 0.35 dB max. |
| Directivity: | 23 dB min. |
| VSWR: | 1.20:1 max. |
| Input Power: | 50 watts max. |
| Reflected Power: | 4 watts max. |
| Connector Type: | SMA |

Insertion loss does not include coupling loss.
Input power is specified for load VSWR better than 1.20:1.

This is a commercial off the shelf (COTS) product.
For an equivalent product that meets DFARS materials compliance, contact sales.
All specifications are subject to change without notice at any time. Rev: 170130

