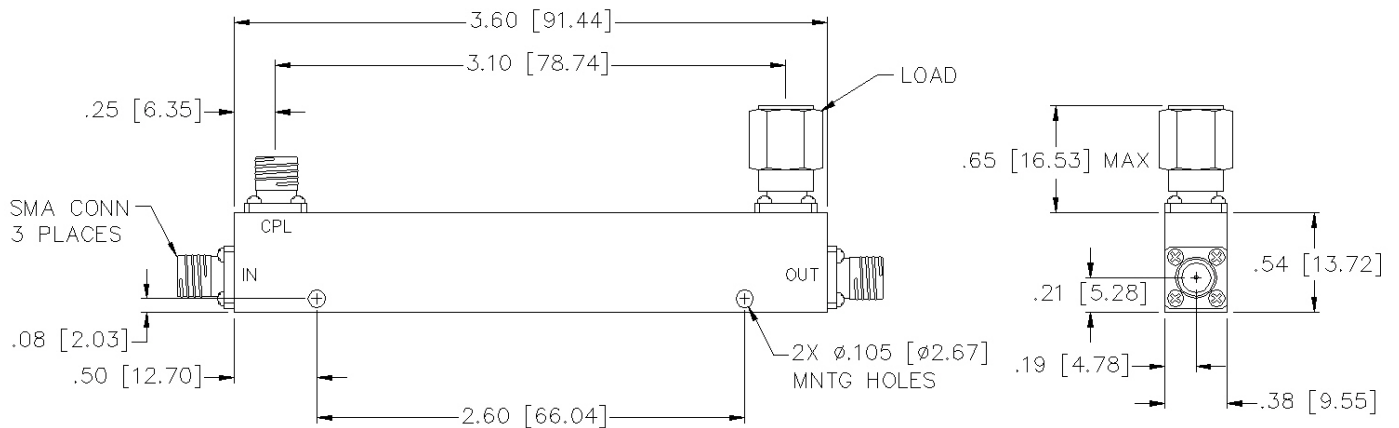


CS06-02-436/1

6 DB SMA DIRECTIONAL COUPLER



SPECIFICATIONS

Name:	CS06-02-436/1
Frequency Range:	0.5-2 GHz
Coupling:	6.0 \pm 1.00 dB
Coupling Flatness:	\pm 0.75 dB max.
Insertion Loss:	0.35 dB max.
Directivity:	23 dB min.
VSWR:	1.20:1 max.
Input Power:	50 watts max.
Reflected Power:	4 watts max.
Connector Type:	SMA

Insertion loss does not include coupling loss.
Input power is specified for load VSWR better than 1.20:1.

This is a commercial off the shelf (COTS) product.
For an equivalent product that meets DFARS materials compliance, contact sales.
All specifications are subject to change without notice at any time. Rev: 170130

