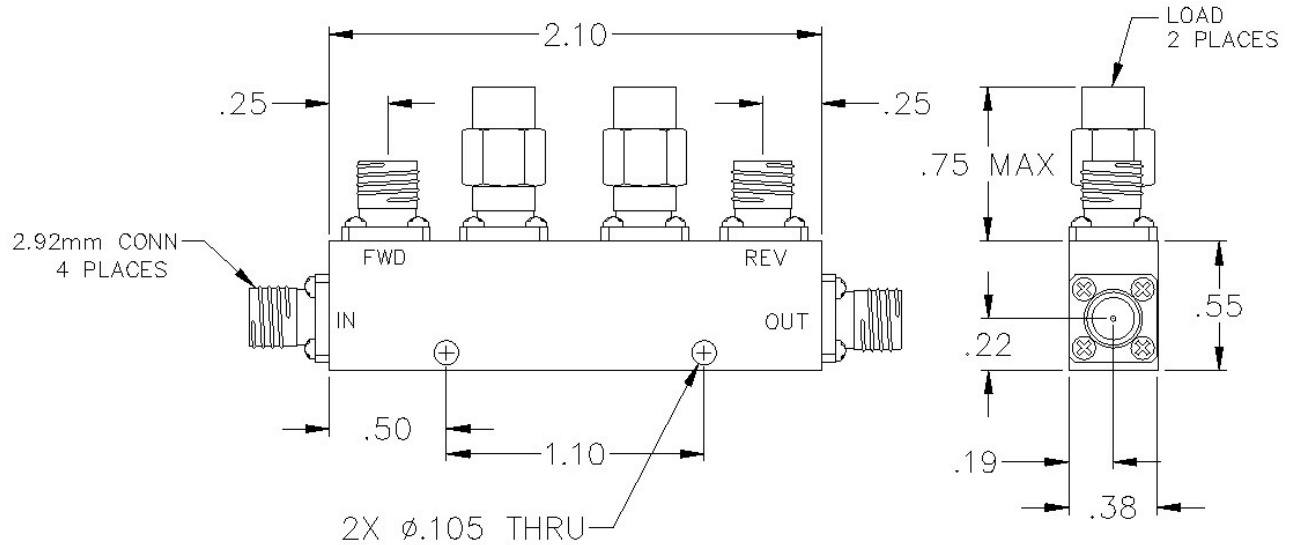


CCS20-50-437/1B

20 DB DUAL DIRECTIONAL COUPLER



SPECIFICATIONS

Name:	CCS20-50-437/1B
Frequency Range:	6-26.5 GHz
Coupling:	20.0 \pm 1.00 dB
Coupling Flatness:	\pm 0.80 dB max.
Insertion Loss:	0.90 dB max.
Directivity:	12 dB min.
VSWR:	1.60:1 max.
Input Power:	20 watts max.
Connector Type:	2.92

Insertion loss does not include coupling loss.
Input power is specified for load VSWR better than 1.20:1.

This is a commercial off the shelf (COTS) product.
For an equivalent product that meets DFARS materials compliance, contact sales.
All specifications are subject to change without notice at any time. Rev: 250614

