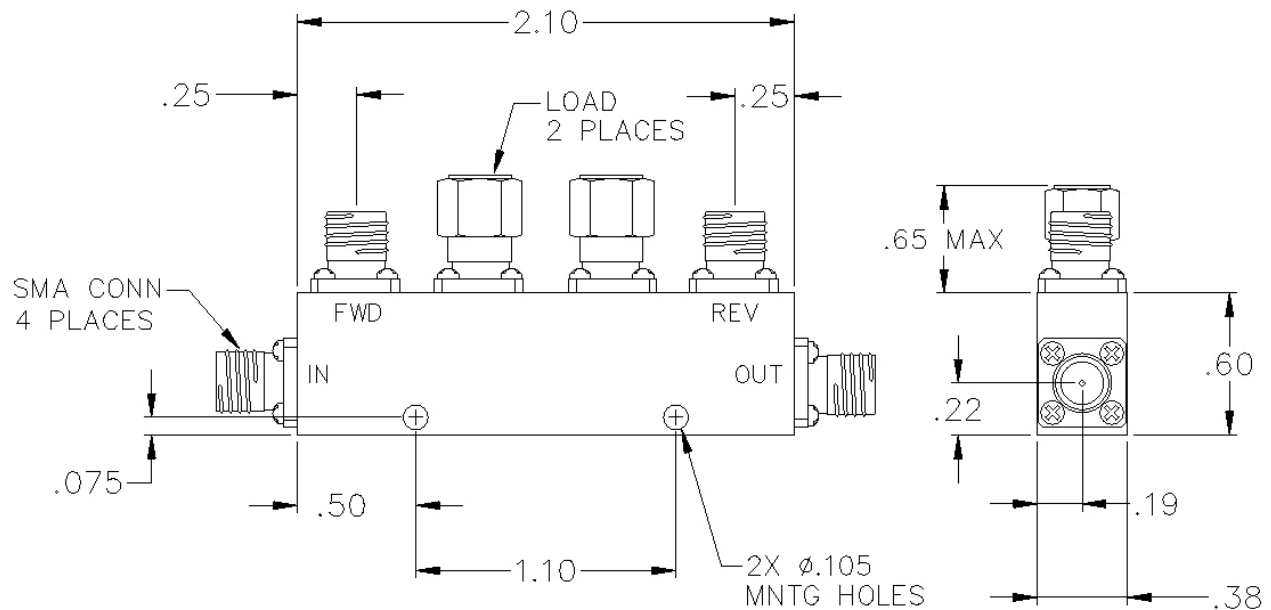
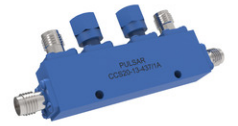


# CCS20-13-437/1A

## 20 DB SMA DUAL DIRECTIONAL COUPLER



## SPECIFICATIONS

Name:	CCS20-13-437/1A
Frequency Range:	8-16 GHz
Coupling:	20.0 $\pm$ 1.25 dB
Coupling Flatness:	$\pm$ 0.80 dB max.
Insertion Loss:	1.00 dB max.
Directivity:	15 dB min.
VSWR:	1.40:1 max.
Input Power:	50 watts max.
Connector Type:	SMA

Insertion loss does not include coupling loss.  
Input power is specified for load VSWR better than 1.20:1.

This is a commercial off the shelf (COTS) product.  
For an equivalent product that meets DFARS materials compliance, contact sales.  
All specifications are subject to change without notice at any time. Rev: 250512

