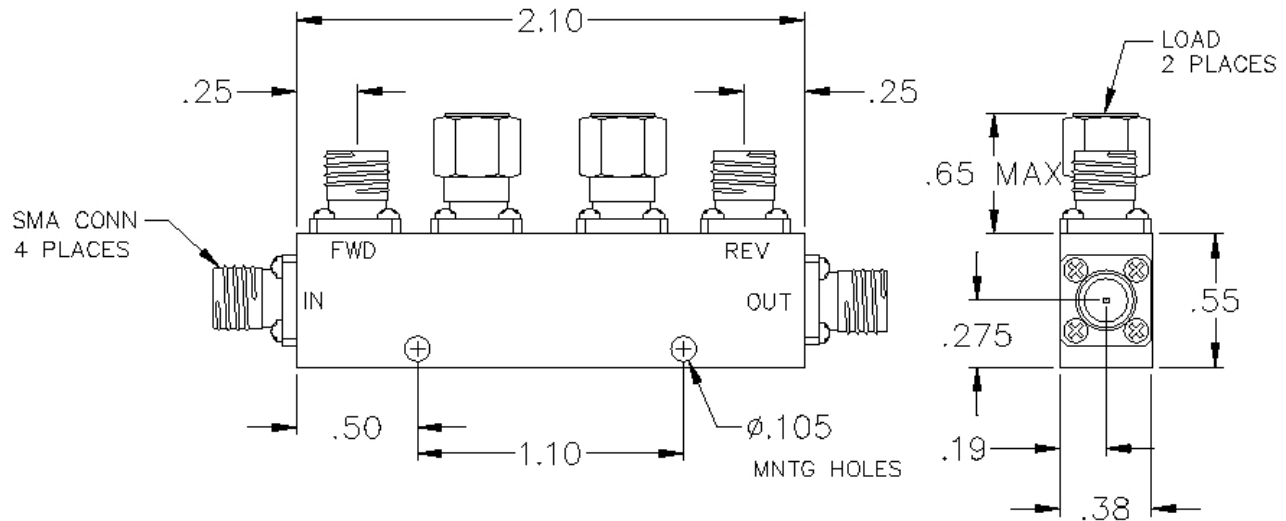


CCS10-12-437/1

10 DB SMA DUAL DIRECTIONAL COUPLER



SPECIFICATIONS

Name:	CCS10-12-437/1
Frequency Range:	7-12.4 GHz
Coupling:	10.0 \pm 1.25 dB
Coupling Flatness:	\pm 0.60 dB max.
Insertion Loss:	0.80 dB max.
Directivity:	16 dB min.
VSWR:	1.35:1 max.
Input Power:	10 watts max.
Connector Type:	SMA

Insertion loss does not include coupling loss.
Input power is specified for load VSWR better than 1.20:1.

This is a commercial off the shelf (COTS) product.
For an equivalent product that meets DFARS materials compliance, contact sales.
All specifications are subject to change without notice at any time. Rev: 180212

PULSAR
MICROWAVE CORPORATION