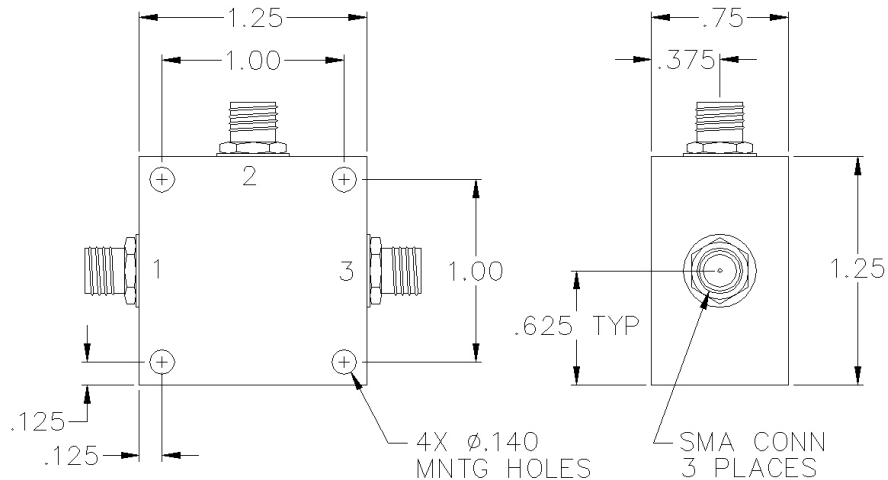


# C4-P5-411

## SMA DIRECTIONAL COUPLER



### SPECIFICATIONS

Name:	C4-P5-411
Frequency Range:	30-400 MHz
Coupling:	20.0 $\pm$ 0.5 dB
Coupling Flatness:	$\pm$ 0.40 dB max.
Insertion Loss:	0.5 dB max.
Directivity:	25 dB min.
VSWR:	1.30:1 max.
Input Power:	25 watts max.
Connector Type:	SMA

### PORT CONFIGURATION

Input:	1
Output:	3
Coupled:	2
Ground:	Housing

Insertion loss does not include coupling loss.  
Input power is specified for load VSWR better than 1.20:1.  
SMA female connectors standard, also available with BNC, TNC, F, and N connectors.  
Dual directional couplers, other frequency ranges, coupling values and higher power models available.

This is a commercial off the shelf (COTS) product.  
For an equivalent product that meets DFARS materials compliance, contact sales.  
All specifications are subject to change without notice at any time. Rev: 220628

