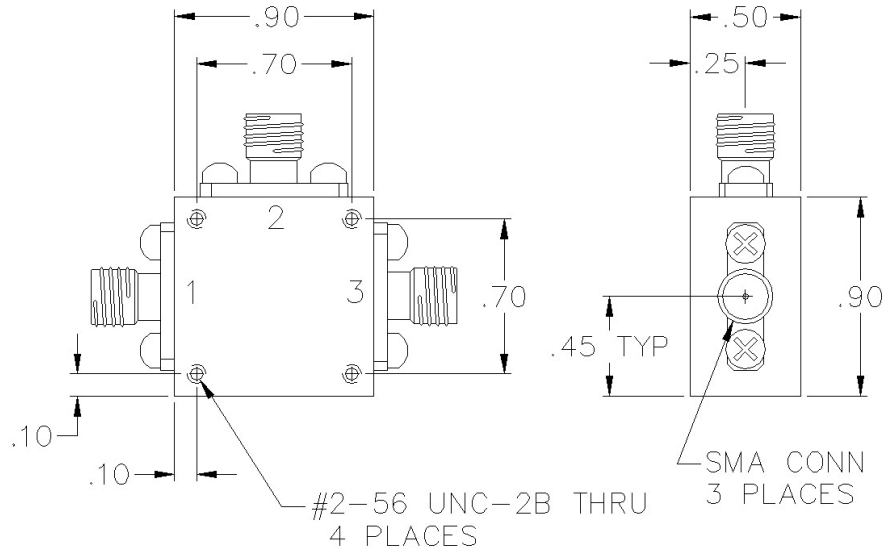


C1-08-414

DIRECTIONAL COUPLER



SPECIFICATIONS

Name:	C1-08-414
Frequency Range:	5-1000 MHz
Coupling:	10.0 ± 0.5 dB
Coupling Flatness:	±0.50 dB max.
Insertion Loss:	1.6 dB max.
Directivity:	23 dB min.
VSWR:	1.30:1 max.
Input Power:	1 watts max.
Connector Type:	SMA

PORT CONFIGURATION

Input:	1
Output:	3
Coupled:	2
Ground:	Housing

Insertion loss does not include coupling loss.
Input power is specified for load VSWR better than 1.20:1.
Dual directional couplers, other frequency ranges, coupling values and higher power models available.

This is a commercial off the shelf (COTS) product.
For an equivalent product that meets DFARS materials compliance, contact sales.
All specifications are subject to change without notice at any time. Rev: 250614

