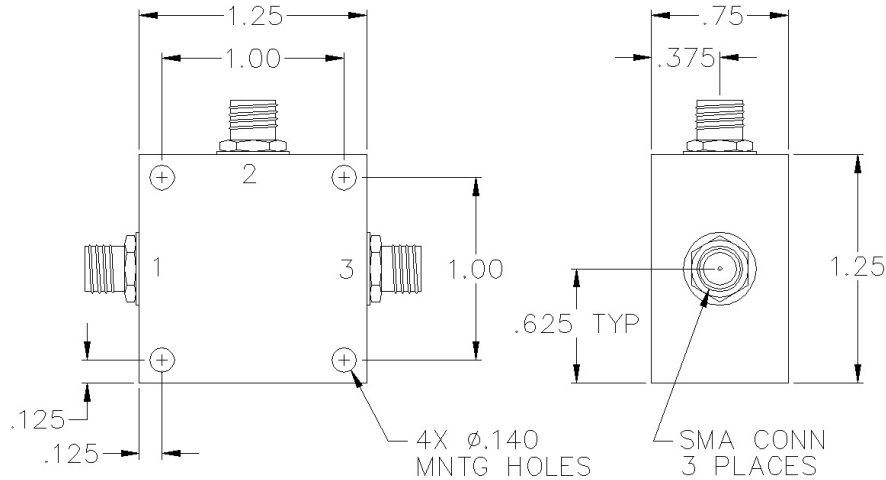


C1-06-411

DIRECTIONAL COUPLER



SPECIFICATIONS

Name:	C1-06-411
Frequency Range:	0.5-500 MHz
Coupling:	10.0 ± 0.5 dB
Coupling Flatness:	±0.40 dB max.
Insertion Loss:	1.2 dB max.
Directivity:	25 dB min.
VSWR:	1.30:1 max.
Input Power:	1 watts max.
Connector Type:	SMA

PORT CONFIGURATION

Input:	1
Output:	3
Coupled:	2
Ground:	Housing

Insertion loss does not include coupling loss.

Input power is specified for load VSWR better than 1.20:1.

SMA female connectors standard, also available with BNC, TNC, F, and N connectors.

Dual directional couplers, other frequency ranges, coupling values and higher power models available.

This is a commercial off the shelf (COTS) product.

For an equivalent product that meets DFARS materials compliance, contact sales.

All specifications are subject to change without notice at any time. Rev: 250614