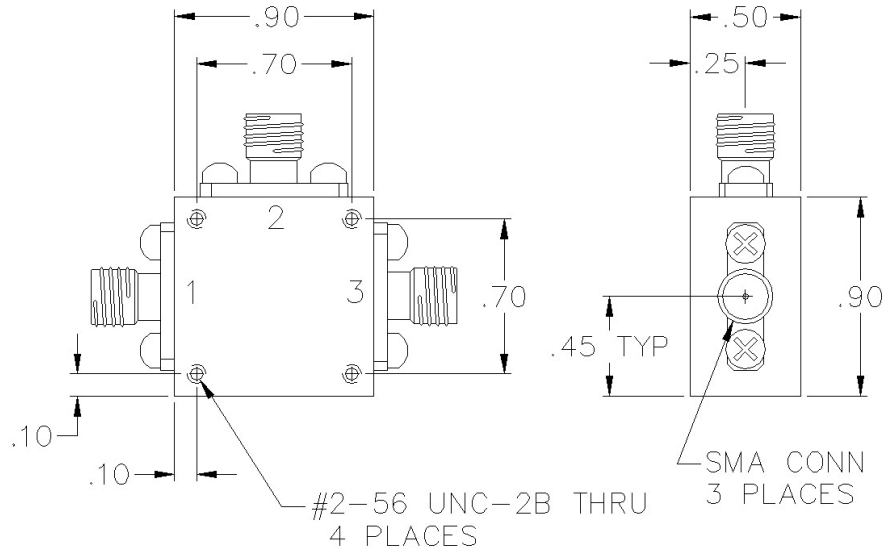


C1-03-414

DIRECTIONAL COUPLER



SPECIFICATIONS

Name:	C1-03-414
Frequency Range:	0.5-100 MHz
Coupling:	10.0 ± 0.5 dB
Coupling Flatness:	±0.25 dB max.
Insertion Loss:	0.8 dB max.
Directivity:	30 dB min.
VSWR:	1.20:1 max.
Input Power:	1 watts max.
Connector Type:	SMA

PORT CONFIGURATION

Input:	1
Output:	3
Coupled:	2
Ground:	Housing

Insertion loss does not include coupling loss.
Input power is specified for load VSWR better than 1.20:1.
Dual directional couplers, other frequency ranges, coupling values and higher power models available.

This is a commercial off the shelf (COTS) product.
For an equivalent product that meets DFARS materials compliance, contact sales.
All specifications are subject to change without notice at any time. Rev: 250614

