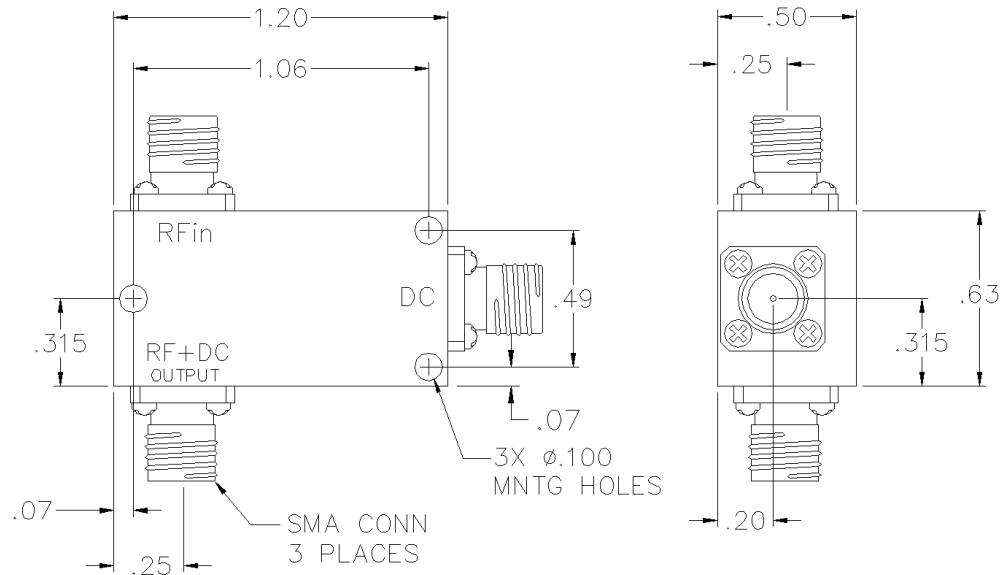
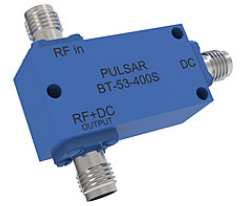


BT-53-400S

SMA BIAS TEE



SPECIFICATIONS

Name:	BT-53-400S
Frequency Range:	100 kHz-18 GHz
Insertion Loss:	2.0 dB max.
Current:	700 mA max.
Power:	1 watts max.
Voltage:	50 Vdc max.
Isolation:	35 dB min.
VSWR:	1.60:1 max.
Package Type:	SMA

This is a commercial off the shelf (COTS) product.
For an equivalent product that meets DFARS materials compliance, contact sales.
All specifications are subject to change without notice at any time. Rev: 190404

