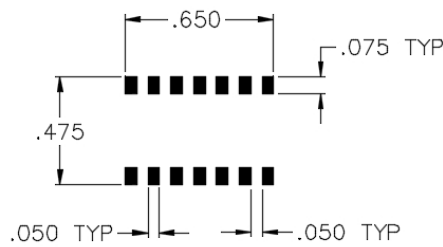
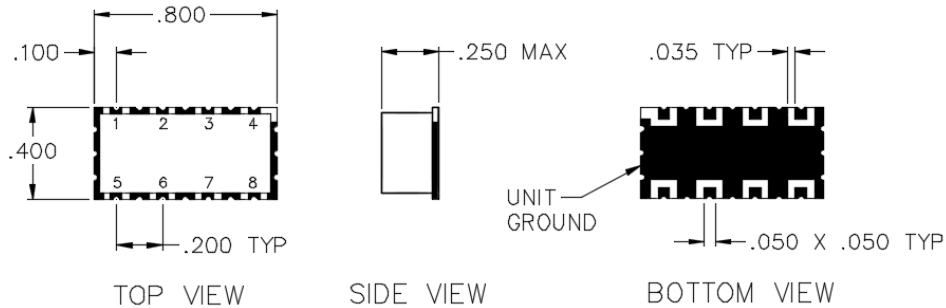
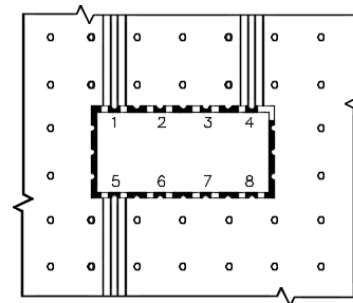


# BT-07-E

## SURFACE MOUNT BIAS TEE



PCB PAD PATTERN  
E-PHASE SHIFTER



TYPICAL APPLICATION  
ALL NON-USED PORTS AND UNIT GROUND  
SHALL BE GROUNDED TO THE MAIN BOARD

## SPECIFICATIONS

|                  |              |
|------------------|--------------|
| Name:            | BT-07-E      |
| Frequency Range: | 100-6000 MHz |
| Insertion Loss:  | 1.5 dB max.  |
| Current:         | 500 mA max.  |
| Power:           | 1 watts max. |
| Voltage:         | 50 Vdc max.  |
| Isolation:       | 30 dB min.   |
| VSWR:            | 1.50:1 max.  |
| Package Type:    | Surface      |

## PORT CONFIGURATION

|                     |   |
|---------------------|---|
| RF In (DC Blocked): | 5 |
| RF/DC Output:       | 1 |
| DC In (Bias):       | 4 |

This is a commercial off the shelf (COTS) product.

For an equivalent product that meets DFARS materials compliance, contact sales.

All specifications are subject to change without notice at any time. Rev: 160203