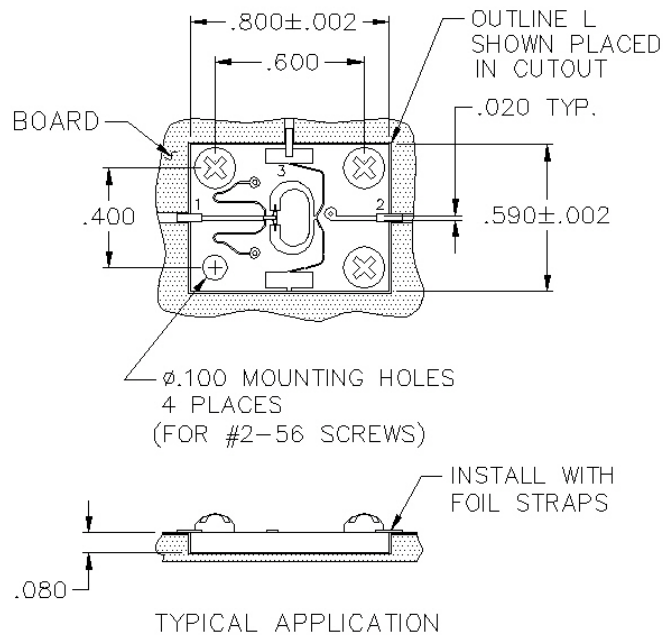


# BP-08-L

## BI-PHASE MODULATOR



## SPECIFICATIONS

Name:	BP-08-L
Frequency Range:	4000-8000 MHz
Insertion Loss:	5.5 dB max.
Input Power:	+10 dBm max.
Amplitude Balance:	0.5 dB max.
Phase Balance:	4° max.
VSWR:	2.00:1 max.
Carrier Suppression:	25 dBc Typ.
Package Type:	Drop-In

Control currents are  $\pm 20$  mA DC.

## PORT CONFIGURATION

Input:	1
Output:	2
D - 1:	3
Ground:	Housing

This is a commercial off the shelf (COTS) product.  
For an equivalent product that meets DFARS materials compliance, contact sales.  
All specifications are subject to change without notice at any time. Rev: 190326

