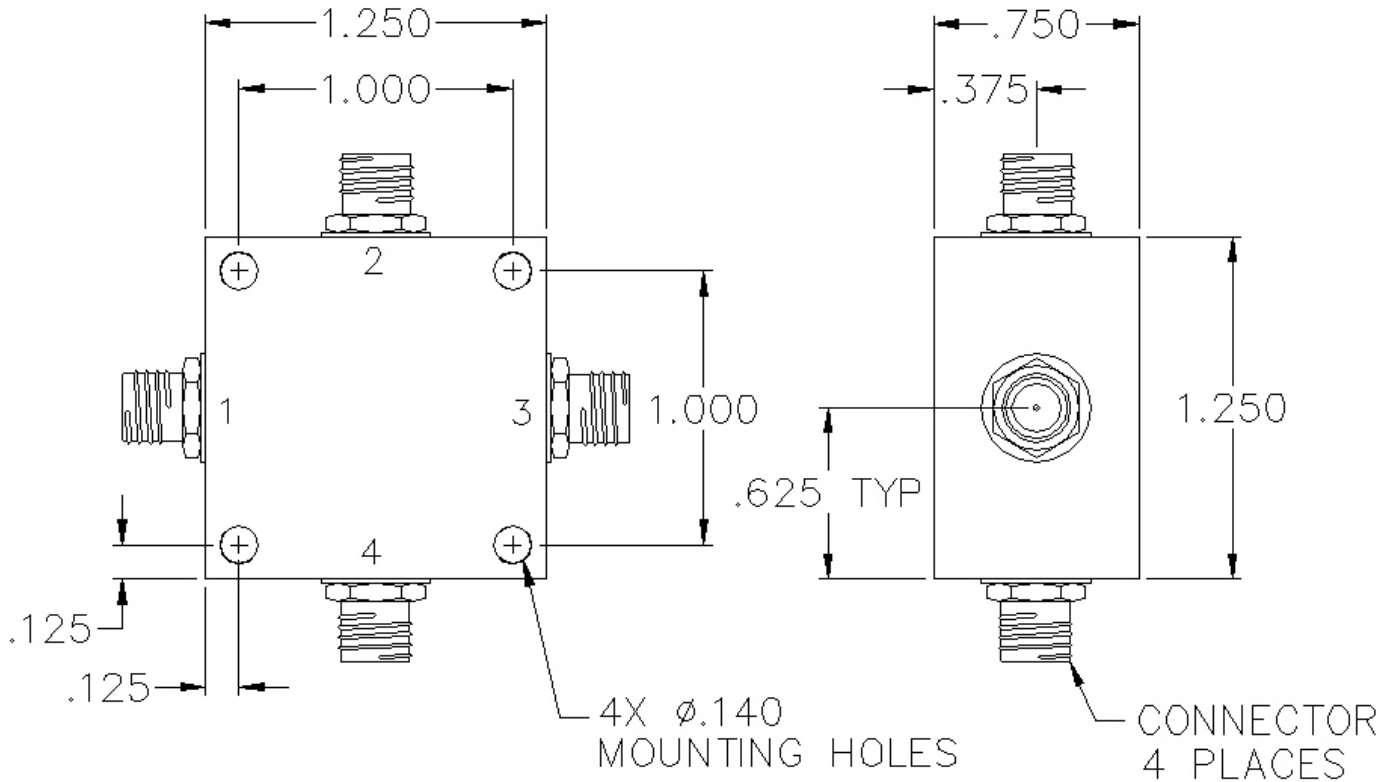


# BP-04-412

## BI-PHASE MODULATOR



### SPECIFICATIONS

Name:	BP-04-412
Frequency Range:	40-1200 MHz
Insertion Loss:	4.5 dB max.
Input Power:	+10 dBm max.
Amplitude Balance:	0.4 dB max.
Phase Balance:	4° max.
VSWR:	2.00:1 max.
Carrier Suppression:	25 dBc Typ.
Package Type:	SMA

Control currents are  $\pm 20$  mA DC.

### PORT CONFIGURATION

Input:	1
Output:	3
D - 1:	2
D - 2:	4
Ground:	Housing

This is a commercial off the shelf (COTS) product.  
For an equivalent product that meets DFARS materials compliance, contact sales.  
All specifications are subject to change without notice at any time. Rev: 201013

www.pulsarmicrowave.com · 48 Industrial St West, Clifton NJ 07012 · Tel: 973-779-6262 · Fax: 973-779-2727 · sales@pulsarmicrowave.com

**PULSAR**  
MICROWAVE CORPORATION