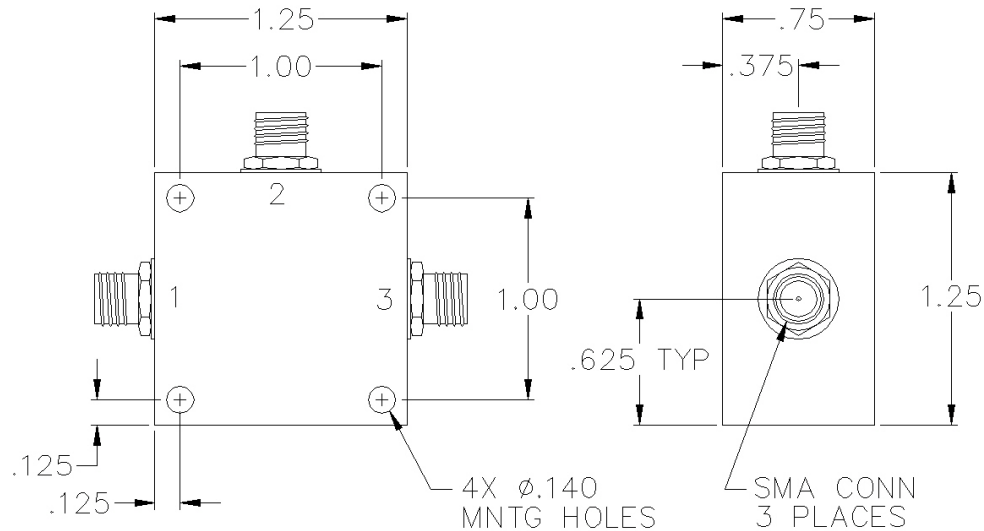


# BP-01-411

## BI-PHASE MODULATOR



## SPECIFICATIONS

|                      |              |
|----------------------|--------------|
| Name:                | BP-01-411    |
| Frequency Range:     | 1-400 MHz    |
| Insertion Loss:      | 3.0 dB max.  |
| Input Power:         | +10 dBm max. |
| Amplitude Balance:   | 0.2 dB max.  |
| Phase Balance:       | 2° max.      |
| VSWR:                | 1.70:1 max.  |
| Carrier Suppression: | 40 dBc Typ.  |
| Package Type:        | SMA          |

## PORT CONFIGURATION

|         |         |
|---------|---------|
| Input:  | 1       |
| Output: | 3       |
| D -1:   | 2       |
| Ground: | Housing |

Control currents are  $\pm 20$  mA DC.

SMA female connectors standard, also available with BNC, TNC, F, and N connectors.

This is a commercial off the shelf (COTS) product.

For an equivalent product that meets DFARS materials compliance, contact sales.

All specifications are subject to change without notice at any time. Rev: 220628

www.pulsarmicrowave.com · 48 Industrial St West, Clifton NJ 07012 · Tel: 973-779-6262 · Fax: 973-779-2727 · sales@pulsarmicrowave.com

**PULSAR**  
MICROWAVE CORPORATION