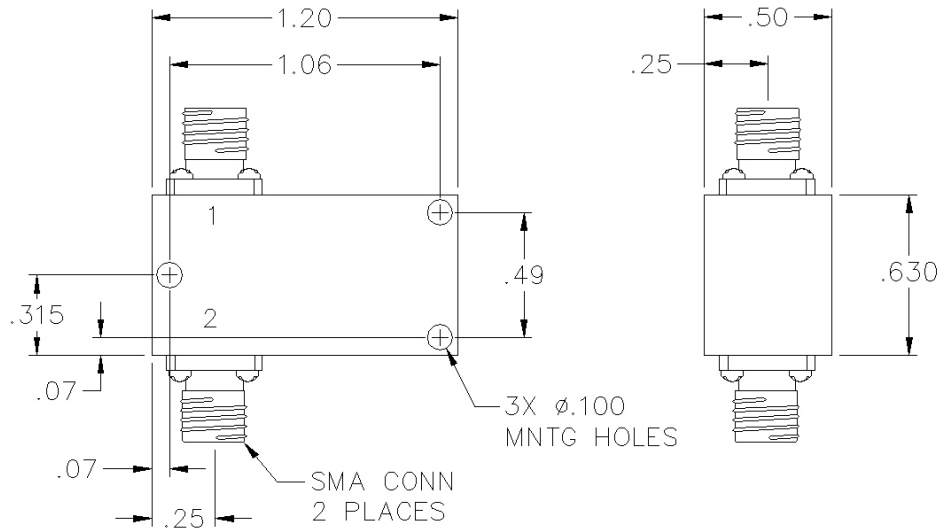


BBT-05-400B

SMA DC BLOCK



SPECIFICATIONS

Name:	BBT-05-400B
Frequency Range:	0.3-18 GHz
Insertion Loss:	0.8 dB max.
Voltage:	50 volts max.
VSWR:	1.30:1 max.
Connector Type:	SMA

This is a commercial off the shelf (COTS) product.

For an equivalent product that meets DFARS materials compliance, contact sales.

All specifications are subject to change without notice at any time. Rev: 220627

www.pulsarmicrowave.com · 48 Industrial St West, Clifton NJ 07012 · Tel: 973-779-6262 · Fax: 973-779-2727 · sales@pulsarmicrowave.com

PULSAR
MICROWAVE CORPORATION