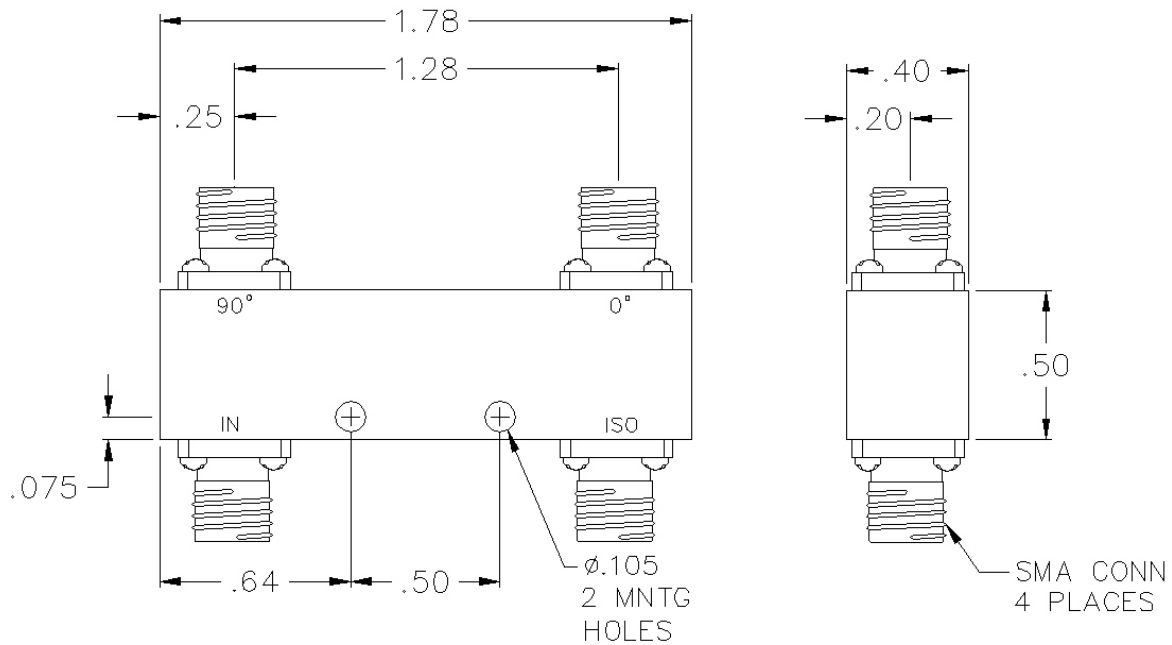


QS2-02-464/2S

3 DB SMA 90° HYBRID COUPLER



SPECIFICATIONS

Name:	QS2-02-464/2S
Bandwidth:	2:1
Frequency Range:	1-2 GHz
Coupling Loss:	3.2 ± 0.3 dB max.
Isolation:	28 dB min.
Amplitude Balance:	1.2 dB max.
Phase Balance:	± 3° max.
VSWR:	1.15:1 max.
Package Type:	SMA

This is a commercial off the shelf (COTS) product.
For an equivalent product that meets DFARS materials compliance, contact sales.
All specifications are subject to change without notice at any time. Rev: 190326