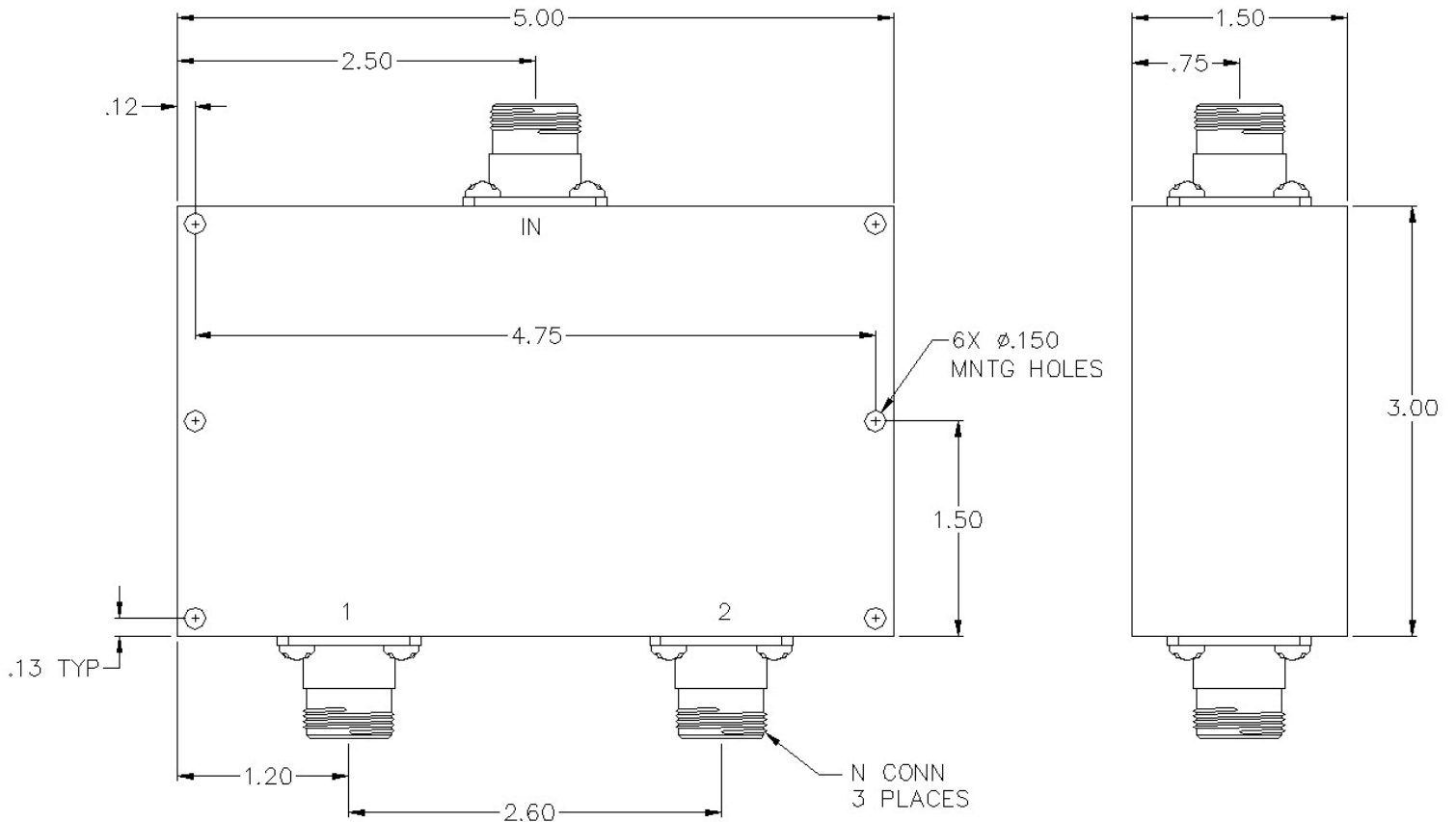


# PP2-20-450/22N

## 2-WAY TYPE N HIGH POWER COMBINER



## SPECIFICATIONS

Name:	PP2-20-450/22N
Frequency Range:	2-50 MHz
Insertion Loss:	0.2 dB max.
Isolation:	22 dB min.
Max Power at Combined Port:	500 watts
Amplitude Balance:	0.2 dB max.
Phase Balance:	2° max.
VSWR:	1.20:1 max.
Package Type:	N

Also available with SMA connectors, contact sales.

This is a commercial off the shelf (COTS) product.  
For an equivalent product that meets DFARS materials compliance, contact sales.  
All specifications are subject to change without notice at any time. Rev: 250512

www.pulsarmicrowave.com · 48 Industrial St West, Clifton NJ 07012 · Tel: 973-779-6262 · Fax: 973-779-2727 · sales@pulsarmicrowave.com

**PULSAR**  
MICROWAVE CORPORATION