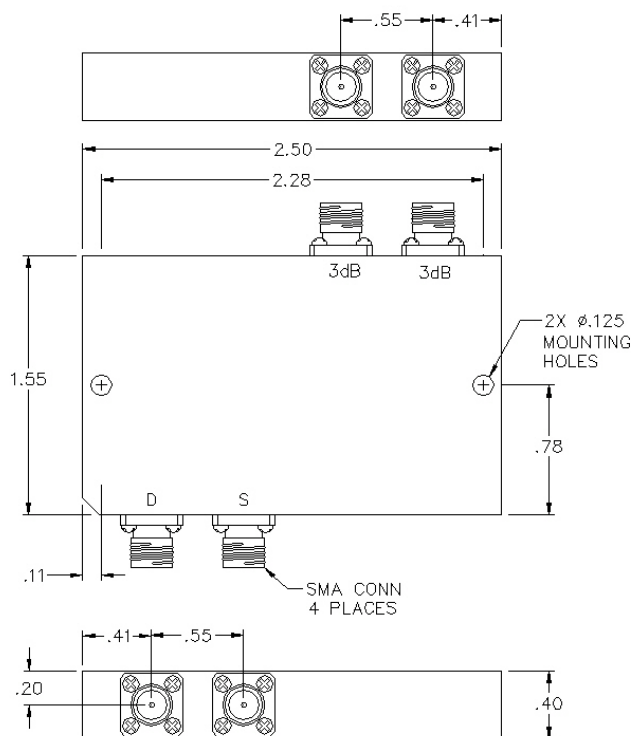


JSO-05-471/1S

4 PORT 3 DB SMA 180° HYBRID COUPLER



SPECIFICATIONS

Name:	JSO-05-471/1S
Frequency Range:	4-20 GHz
Insertion Loss:	1.4 dB max.
Isolation A-B:	15 dB min.
Power Rating:	20 watts max.
Amplitude Balance:	±0.7 dB max.
Phase Balance:	±12° max.
VSWR:	1.70:1 max.
Connector Type:	SMA

This is a commercial off the shelf (COTS) product.

For an equivalent product that meets DFARS materials compliance, contact sales.

All specifications are subject to change without notice at any time. Rev: 190326