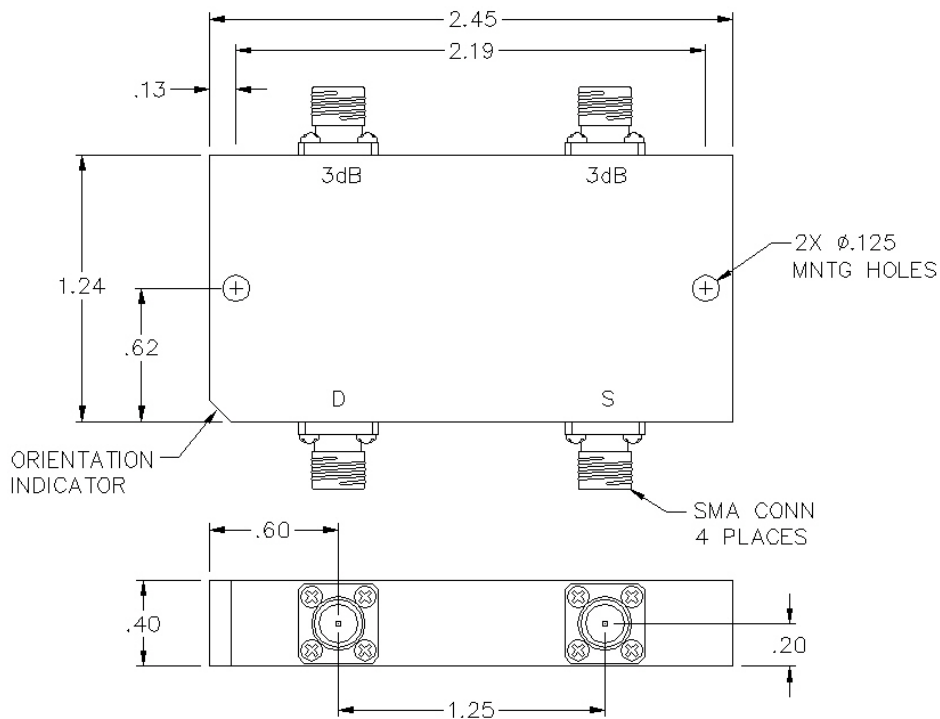


# JSO-02-465/1S

## 4 PORT 3 DB SMA 180° HYBRID COUPLER



## SPECIFICATIONS

Name:	JSO-02-465/1S
Frequency Range:	2-4 GHz
Insertion Loss:	0.6 dB max.
Isolation A-B:	20 dB min.
Power Rating:	80 watts max.
Amplitude Balance:	$\pm 0.5$ dB max.
Phase Balance:	$\pm 10^\circ$ max.
VSWR:	1.60:1 max.
Connector Type:	SMA

This is a commercial off the shelf (COTS) product.

For an equivalent product that meets DFARS materials compliance, contact sales.

All specifications are subject to change without notice at any time. Rev: 190326