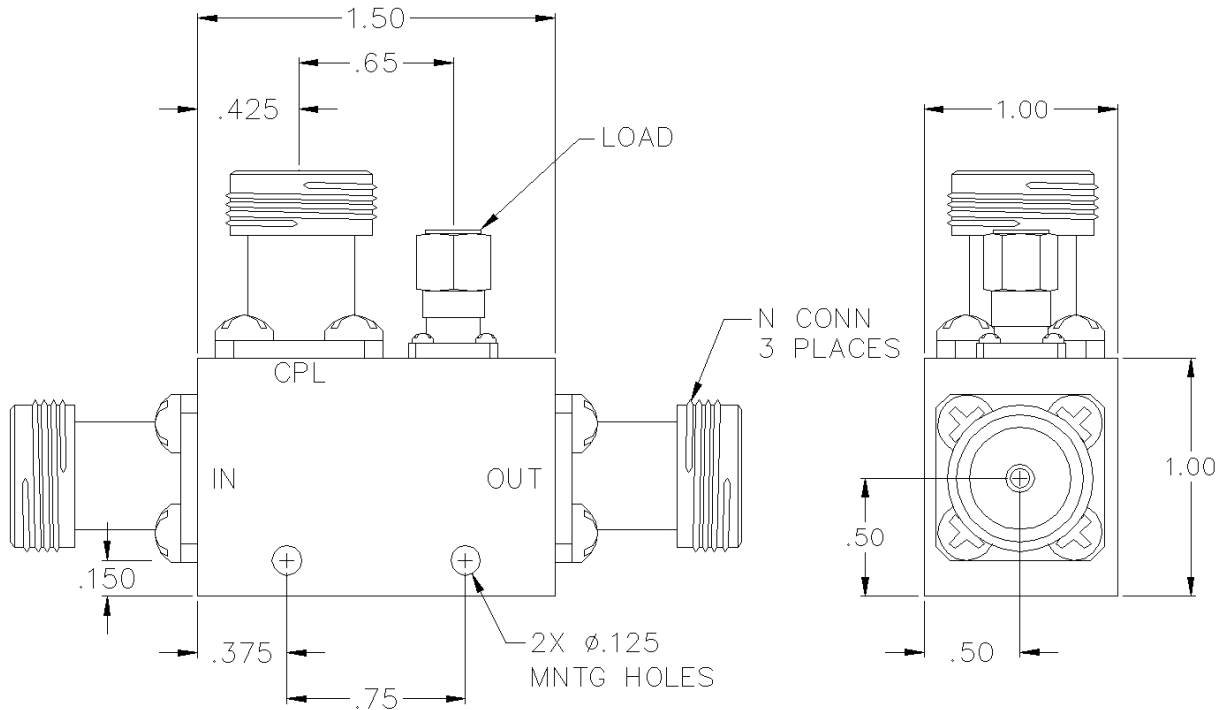


# CS30-05-436/11N

## 30 DB TYPE N DIRECTIONAL COUPLER



## SPECIFICATIONS

Name:	CS30-05-436/11N
Frequency Range:	2-4 GHz
Coupling:	30.0 $\pm$ 1.25 dB
Coupling Flatness:	$\pm$ 0.75 dB max.
Insertion Loss:	0.20 dB max.
Directivity:	18 dB min.
VSWR:	1.15:1 max.
Input Power:	50 watts max.
Reflected Power:	50 watts max.
Connector Type:	N

Insertion loss does not include coupling loss.  
Input power is specified for load VSWR better than 1.20:1.

This is a commercial off the shelf (COTS) product.  
For an equivalent product that meets DFARS materials compliance, contact sales.  
All specifications are subject to change without notice at any time. Rev: 170130

