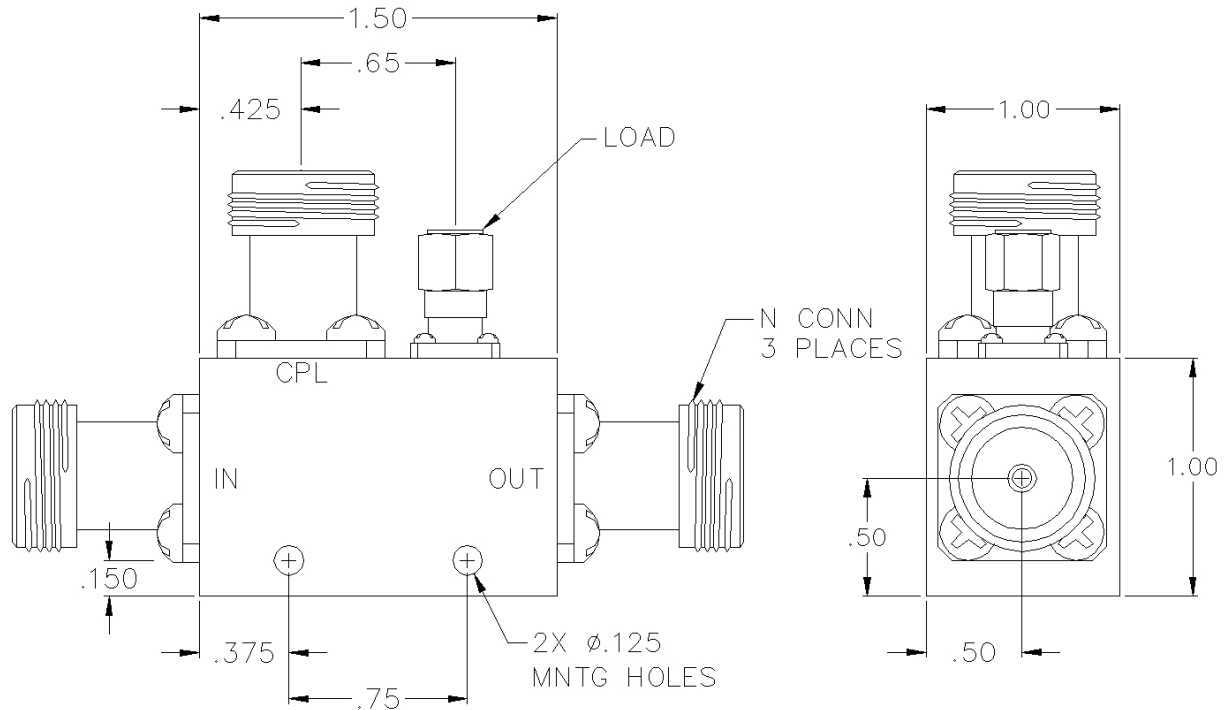


# CS20-17-436/11N

## 20 DB TYPE N DIRECTIONAL COUPLER



## SPECIFICATIONS

Name:	CS20-17-436/11N
Frequency Range:	12.4-18 GHz
Coupling:	20.0 $\pm$ 1.00 dB
Coupling Flatness:	$\pm$ 0.50 dB max.
Insertion Loss:	0.50 dB max.
Directivity:	12 dB min.
VSWR:	1.40:1 max.
Input Power:	50 watts max.
Reflected Power:	50 watts max.
Connector Type:	N

Insertion loss does not include coupling loss.  
Input power is specified for load VSWR better than 1.20:1.

This is a commercial off the shelf (COTS) product.  
For an equivalent product that meets DFARS materials compliance, contact sales.  
All specifications are subject to change without notice at any time. Rev: 170130

www.pulsarmicrowave.com · 48 Industrial St West, Clifton NJ 07012 · Tel: 973-779-6262 · Fax: 973-779-2727 · sales@pulsarmicrowave.com

**PULSAR**  
MICROWAVE CORPORATION