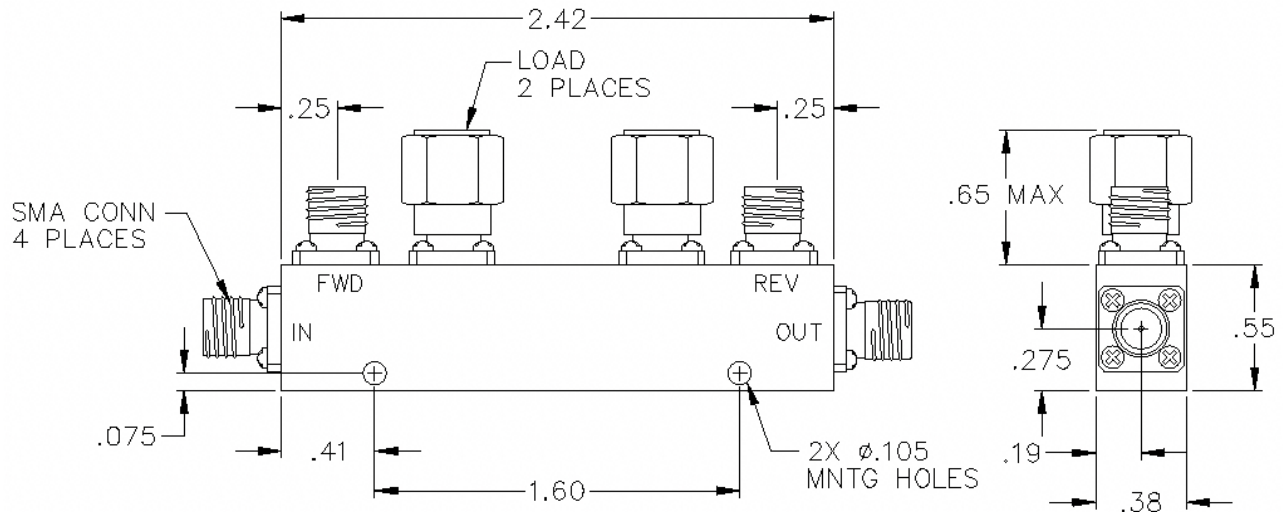


CCS10-05-437/10

10 DB SMA DUAL DIRECTIONAL COUPLER



SPECIFICATIONS

| | |
|--------------------|--------------------|
| Name: | CCS10-05-437/10 |
| Frequency Range: | 2-4 GHz |
| Coupling: | 10.0 \pm 1.25 dB |
| Coupling Flatness: | \pm 0.80 dB max. |
| Insertion Loss: | 0.50 dB max. |
| Directivity: | 20 dB min. |
| VSWR: | 1.20:1 max. |
| Input Power: | 10 watts max. |
| Connector Type: | SMA |

Insertion loss does not include coupling loss.
Input power is specified for load VSWR better than 1.20:1.

This is a commercial off the shelf (COTS) product.
For an equivalent product that meets DFARS materials compliance, contact sales.
All specifications are subject to change without notice at any time. Rev: 220616