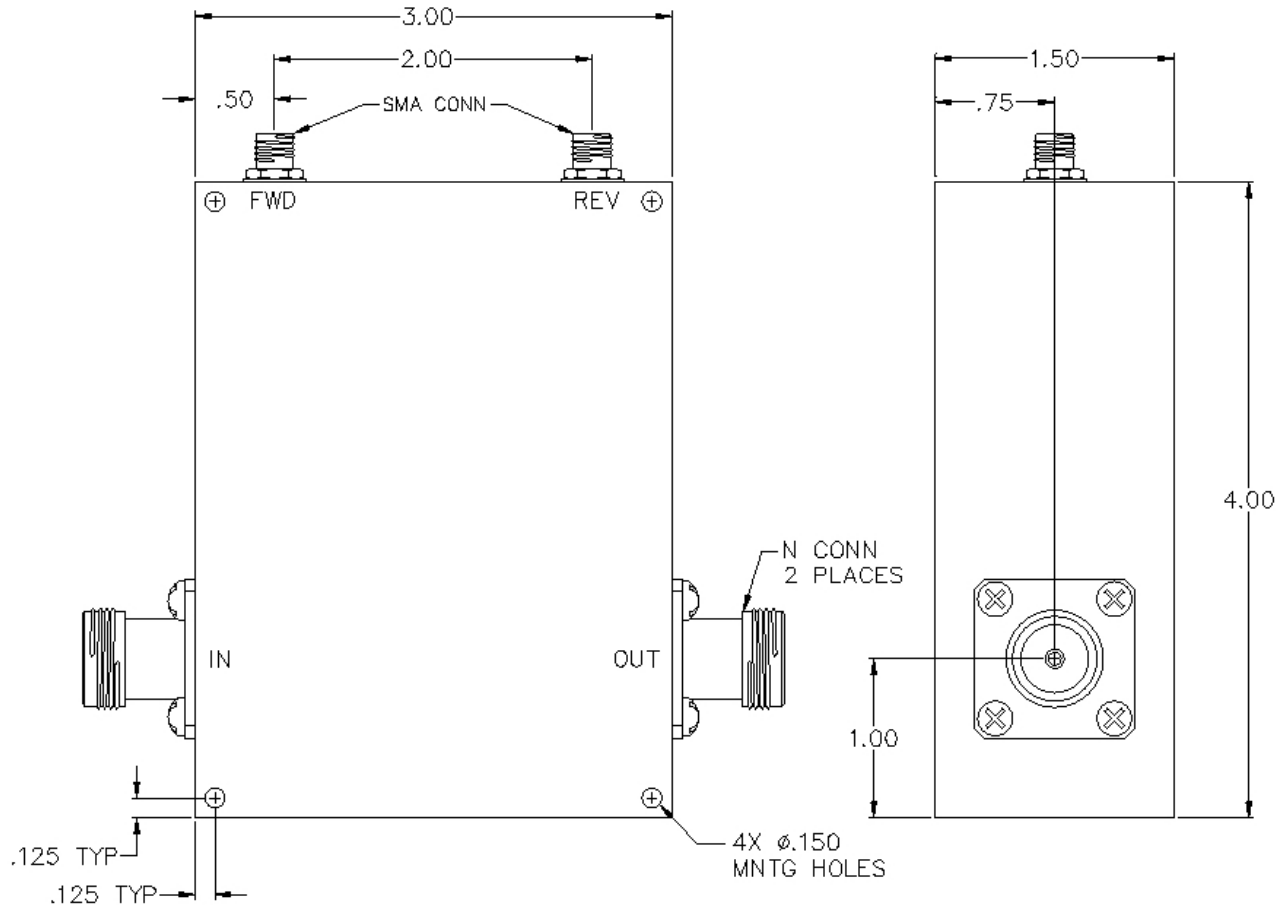
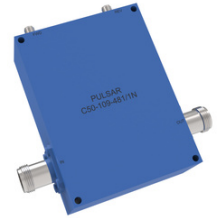


# C50-109-481/1N

## HIGH POWER 50 DB TYPE N DUAL DIRECTIONAL COUPLER



## SPECIFICATIONS

Name:	C50-109-481/1N
Frequency Range:	1-100 MHz
Coupling:	50.0 $\pm$ 1.00 dB
Coupling Flatness:	$\pm$ 1.00 dB max.
Insertion Loss:	0.20 dB max.
Directivity:	20 dB min.
VSWR In/Out:	1.20:1 max.
Input Power:	500 watts max.
Connector Type:	N

Insertion loss does not include coupling loss.  
Input power is specified for load VSWR better than 1.20:1.

This is a commercial off the shelf (COTS) product.  
For an equivalent product that meets DFARS materials compliance, contact sales.  
All specifications are subject to change without notice at any time. Rev: 220628

www.pulsarmicrowave.com · 48 Industrial St West, Clifton NJ 07012 · Tel: 973-779-6262 · Fax: 973-779-2727 · sales@pulsarmicrowave.com

**PULSAR**  
MICROWAVE CORPORATION