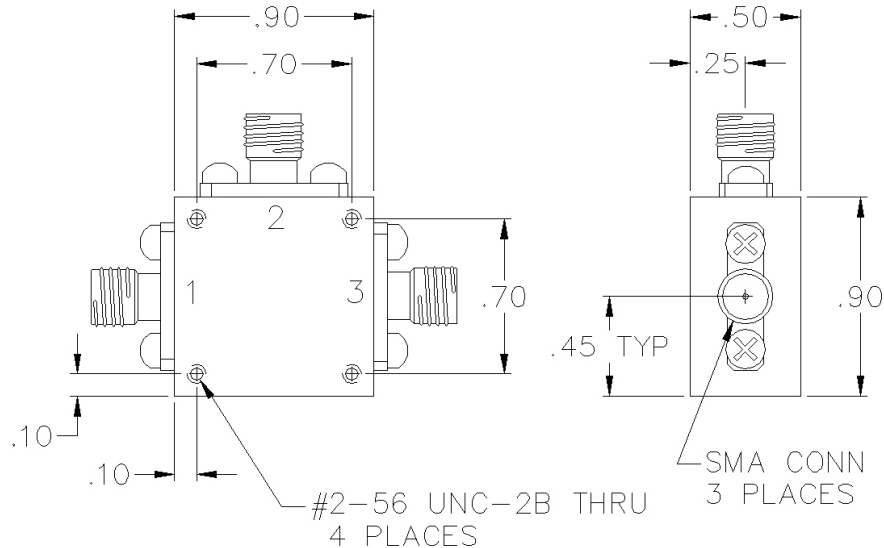


# C4-03-414

## SMA DIRECTIONAL COUPLER



### SPECIFICATIONS

|                    |               |
|--------------------|---------------|
| Name:              | C4-03-414     |
| Frequency Range:   | 0.5-100 MHz   |
| Coupling:          | 20.0 ± 0.5 dB |
| Coupling Flatness: | ±0.25 dB max. |
| Insertion Loss:    | 0.4 dB max.   |
| Directivity:       | 25 dB min.    |
| VSWR:              | 1.20:1 max.   |
| Input Power:       | 3 watts max.  |
| Connector Type:    | SMA           |

### PORT CONFIGURATION

|          |         |
|----------|---------|
| Input:   | 1       |
| Output:  | 3       |
| Coupled: | 2       |
| Ground:  | Housing |

Insertion loss does not include coupling loss.

Input power is specified for load VSWR better than 1.20:1.

Dual directional couplers, other frequency ranges, coupling values and higher power models available.

This is a commercial off the shelf (COTS) product.

For an equivalent product that meets DFARS materials compliance, contact sales.

All specifications are subject to change without notice at any time. Rev: 220627

www.pulsarmicrowave.com · 48 Industrial St West, Clifton NJ 07012 · Tel: 973-779-6262 · Fax: 973-779-2727 · sales@pulsarmicrowave.com

**PULSAR**  
MICROWAVE CORPORATION