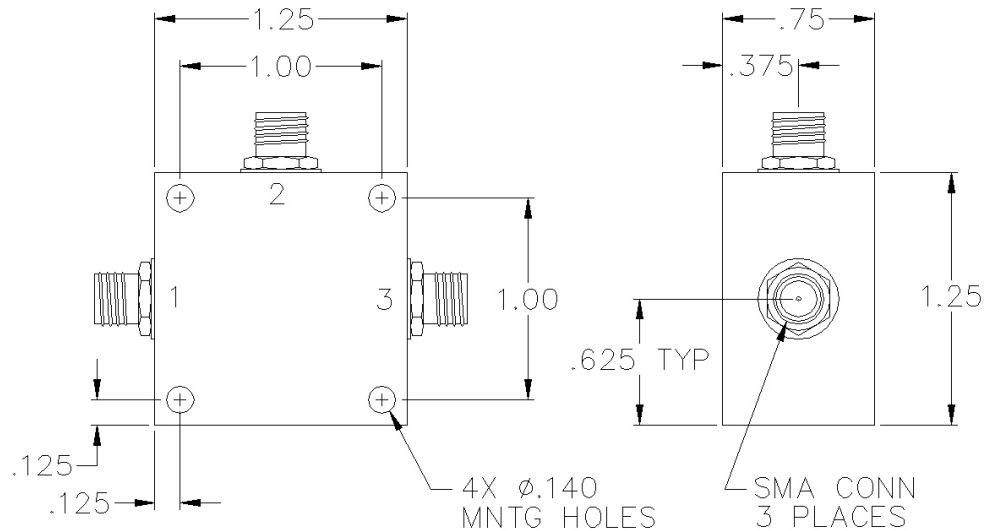


# SO-04-411

## SMA ANALOG PHASE SHIFTER



## SPECIFICATIONS

Name:	SO-04-411
Frequency Range:	60-120 MHz
Insertion Loss:	2.0 dB max.
Phase Shift:	180° min.
Control Voltage:	0-30 Volts
VSWR:	1.70:1 max.
Package Type:	SMA

Maximum input power is +5 dBm.  
Other frequencies, phase shift ranges, and control voltages available.

## PORT CONFIGURATION

Input:	1
Output:	3
Control:	2
Ground:	Housing

This is a commercial off the shelf (COTS) product.

For an equivalent product that meets DFARS materials compliance, contact sales.

All specifications are subject to change without notice at any time. Rev: 220628