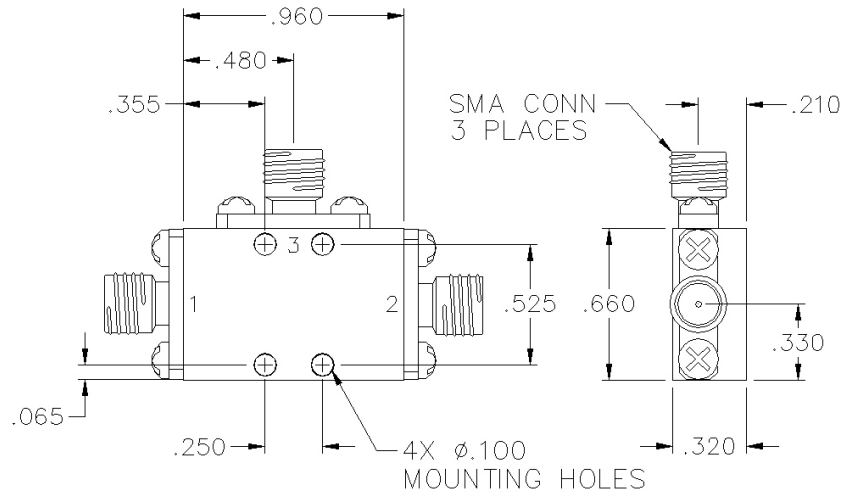


MV-07-SC

HIGH FREQUENCY SMA RF MIXER



SPECIFICATIONS

Name:	MV-07-SC
Frequency Range:	
LO/RF:	2-18 GHz
IF:	0.005-4.0 GHz
LO Drive:	+23 dBm
Conversion Loss:	8.0 dB typ. 9.5 dB max.
1 dB Compression Point:	+17 dBm typ.
L/R Isolation:	25 dB typ. 12 dB min.
L/I Isolation:	30 dB typ. 18 dB min.
Package Type:	SMA

PORT CONFIGURATION

RF:	2
LO:	1
IF:	3

This is a commercial off the shelf (COTS) product.
For an equivalent product that meets DFARS materials compliance, contact sales.
All specifications are subject to change without notice at any time. Rev: 190404