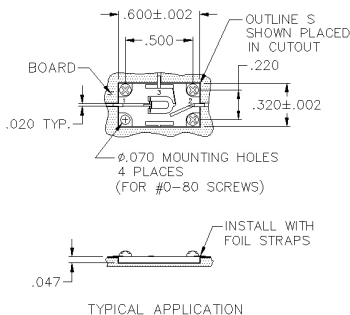


MM-07-S

HIGH FREQUENCY DROP-IN RF MIXER



SPECIFICATIONS

Name:	MM-07-S		
Frequency Range:	2-18 GHz		
LO/RF:	2-18 GHz		
IF:	<u>0.005 - 1.0 GHz</u>	<u>1.0 - 2.0 GHz</u>	<u>2.0 - 4.0 GHz</u>
Conversion Loss:	6.5 dB Typ	7.5 dB Typ	8.0 dB Typ
	8.0 dB Max	9.0 dB Max	9.5 dB Max
L/R Isolation:	25 dB Typ	25 dB Typ	25 dB Typ
	12 dB Min	12 dB Min	12 dB Min
L/I Isolation:	30 dB Typ	30 dB Typ	30 dB Typ
	18 dB Min	18 dB Min	18 dB Min
LO Drive:	+17 dBm		
1 dB Compression Point:	+10 dBm typ.		
Package Type:	Drop-In		

PORT CONFIGURATION

RF:	2
LO:	1
IF:	3

This is a commercial off the shelf (COTS) product.

For an equivalent product that meets DFARS materials compliance, contact sales.

All specifications are subject to change without notice at any time. Rev: 190326