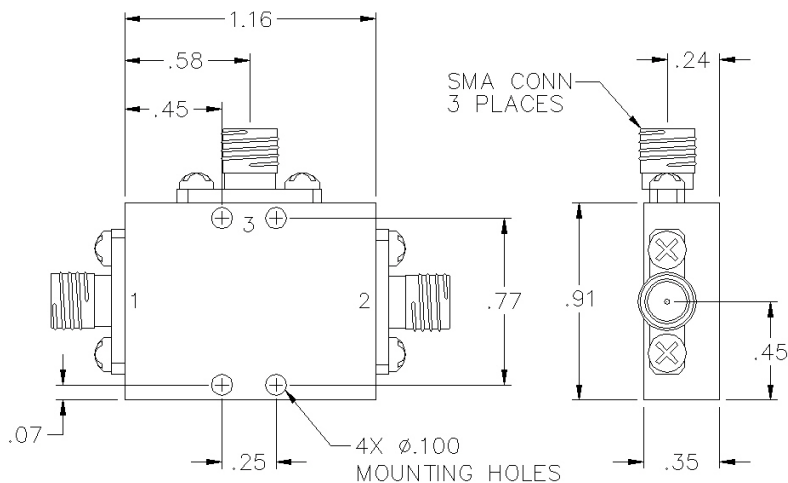


MH-04-LC

HIGH FREQUENCY SMA RF MIXER



SPECIFICATIONS

Name:	MH-04-LC
Frequency Range:	
LO/RF:	2-8 GHz
IF:	DC-2.0 GHz
LO Drive:	+17 dBm
Conversion Loss:	5.5 dB typ. 6.5 dB max.
1 dB Compression Point:	+10 dBm typ.
L/R Isolation:	40 dB typ. 35 dB min.
L/I Isolation:	35 dB typ. 30 dB min.
Package Type:	SMA

PORT CONFIGURATION

RF:	2
LO:	1
IF:	3

This is a commercial off the shelf (COTS) product.
For an equivalent product that meets DFARS materials compliance, contact sales.
All specifications are subject to change without notice at any time. Rev: 190404

