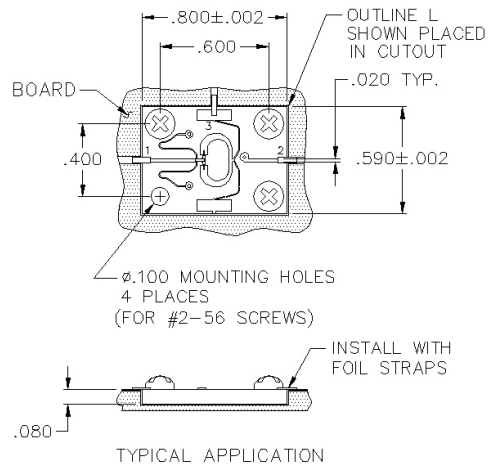


MH-04-L

HIGH FREQUENCY DROP-IN RF MIXER



SPECIFICATIONS

| | |
|-------------------------|----------------------------|
| Name: | MH-04-L |
| Frequency Range: | |
| LO/RF: | 2-8 GHz |
| IF: | DC-2.0 GHz |
| LO Drive: | +17 dBm |
| Conversion Loss: | 5.5 dB typ. 6.5 dB max. |
| 1 dB Compression Point: | +10 dBm typ. |
| L/R Isolation: | 40 dB typ. 35 dB min. |
| L/I Isolation: | 35 dB typ. 30 dB min. |
| Package Type: | Drop-In |

PORT CONFIGURATION

| | |
|-----|---|
| RF: | 2 |
| LO: | 1 |
| IF: | 3 |

This is a commercial off the shelf (COTS) product.
For an equivalent product that meets DFARS materials compliance, contact sales.
All specifications are subject to change without notice at any time. Rev: 190326

