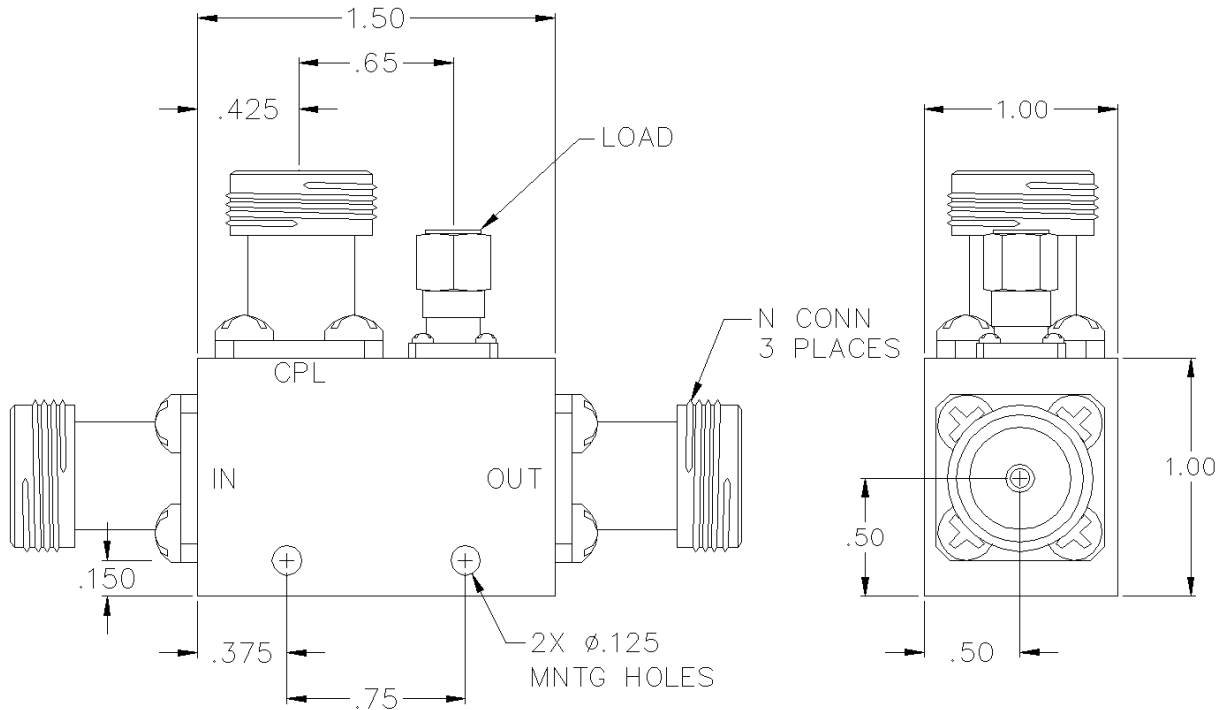


# CS20-10-436/11N

## 20 DB TYPE N DIRECTIONAL COUPLER



## SPECIFICATIONS

|                    |                    |
|--------------------|--------------------|
| Name:              | CS20-10-436/11N    |
| Frequency Range:   | 4-8 GHz            |
| Coupling:          | 20.0 $\pm$ 1.25 dB |
| Coupling Flatness: | $\pm$ 0.75 dB max. |
| Insertion Loss:    | 0.25 dB max.       |
| Directivity:       | 17 dB min.         |
| VSWR:              | 1.30:1 max.        |
| Input Power:       | 50 watts max.      |
| Reflected Power:   | 50 watts max.      |
| Connector Type:    | N                  |

Insertion loss does not include coupling loss.  
Input power is specified for load VSWR better than 1.20:1.

This is a commercial off the shelf (COTS) product.  
For an equivalent product that meets DFARS materials compliance, contact sales.  
All specifications are subject to change without notice at any time. Rev: 170130

