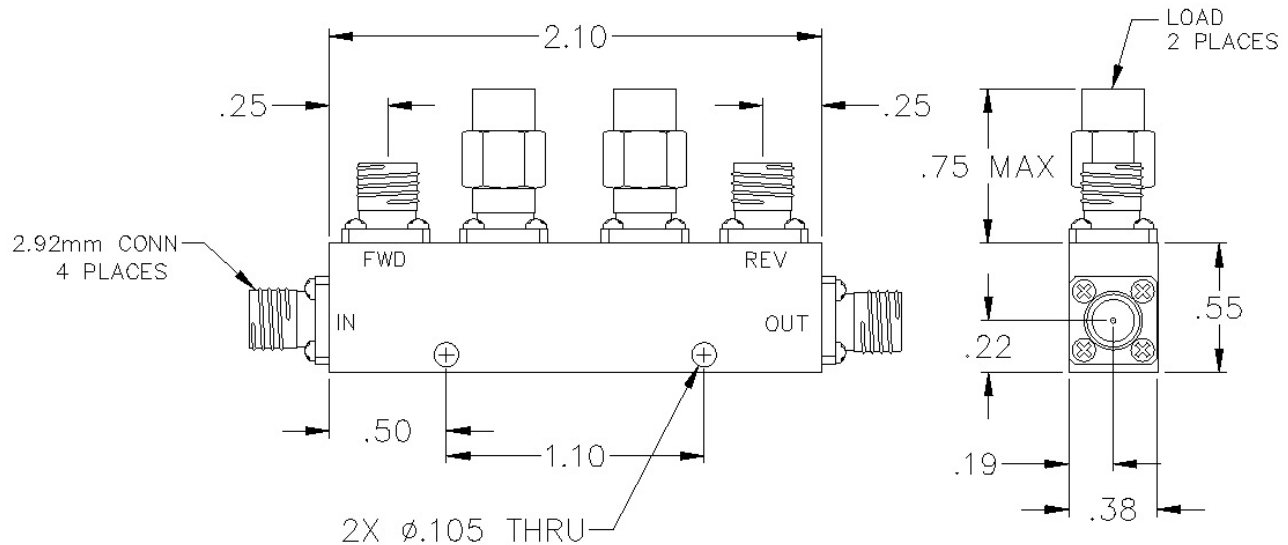


CCS20-51-437/1B

20 DB 2.92MM DUAL DIRECTIONAL COUPLER



SPECIFICATIONS

Name:	CCS20-51-437/1B
Frequency Range:	6-40 GHz
Coupling:	20.0 \pm 1.00 dB
Coupling Flatness:	\pm 1.00 dB max.
Insertion Loss:	1.40 dB max.
Directivity:	10 dB min.
VSWR:	1.70:1 max.
Input Power:	20 watts max.
Connector Type:	2.92

Insertion loss does not include coupling loss.
Input power is specified for load VSWR better than 1.20:1.

This is a commercial off the shelf (COTS) product.
For an equivalent product that meets DFARS materials compliance, contact sales.
All specifications are subject to change without notice at any time. Rev: 181005

