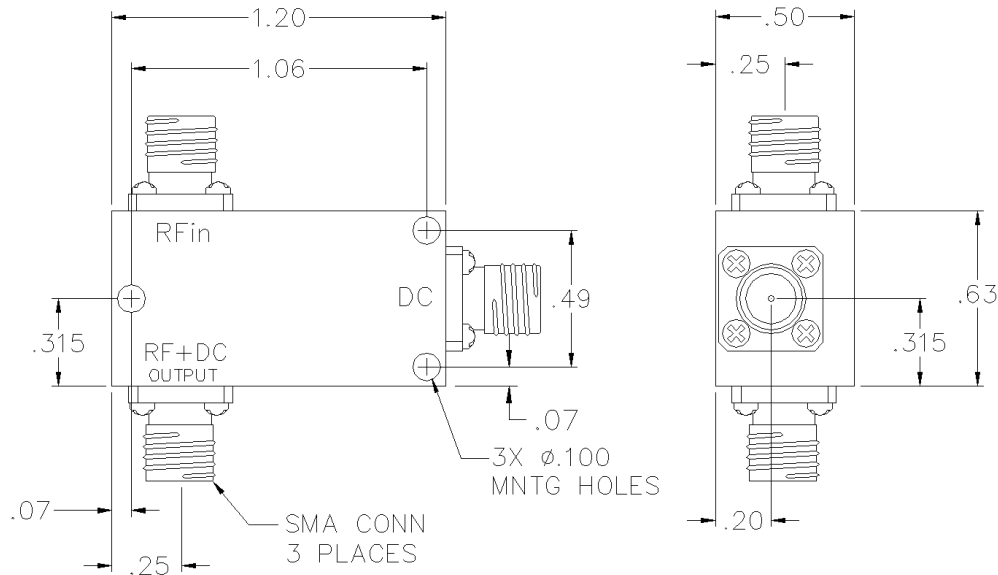
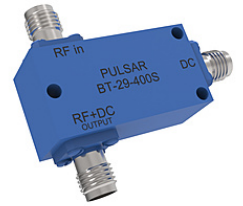


# BT-29-400S

## SMA BIAS TEE



## SPECIFICATIONS

Name:	BT-29-400S
Frequency Range:	300 MHz-18 GHz
Insertion Loss:	1.5 dB max.
Current:	500 mA max.
Power:	1 watts max.
Voltage:	50 Vdc max.
Isolation:	25 dB min.
VSWR:	1.60:1 max.
Package Type:	SMA

This is a commercial off the shelf (COTS) product.  
For an equivalent product that meets DFARS materials compliance, contact sales.  
All specifications are subject to change without notice at any time. Rev: 190404