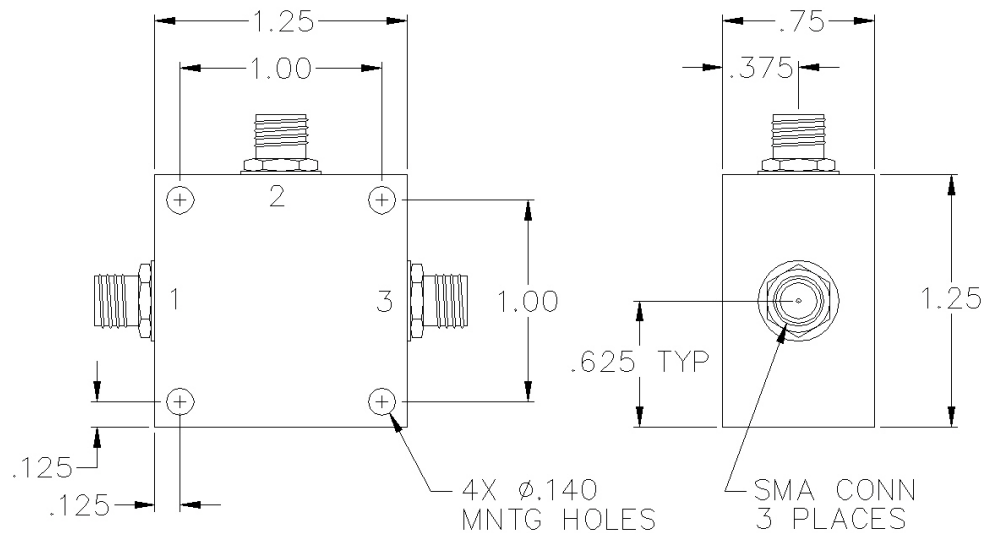


BP-05-411

BI-PHASE MODULATOR



SPECIFICATIONS

Name:	BP-05-411
Frequency Range:	500-2500 MHz
Insertion Loss:	6.0 dB max.
Input Power:	+10 dBm max.
Amplitude Balance:	0.7 dB max.
Phase Balance:	5° max.
VSWR:	2.00:1 max.
Carrier Suppression:	25 dBc Typ.
Package Type:	SMA

PORT CONFIGURATION

Input:	1
Output:	3
D -1:	2
Ground:	Housing

Control currents are ± 20 mA DC.

SMA female connectors standard, also available with BNC, TNC, F, and N connectors.

This is a commercial off the shelf (COTS) product.

For an equivalent product that meets DFARS materials compliance, contact sales.

All specifications are subject to change without notice at any time. Rev: 220628

www.pulsarmicrowave.com · 48 Industrial St West, Clifton NJ 07012 · Tel: 973-779-6262 · Fax: 973-779-2727 · sales@pulsarmicrowave.com

PULSAR
MICROWAVE CORPORATION