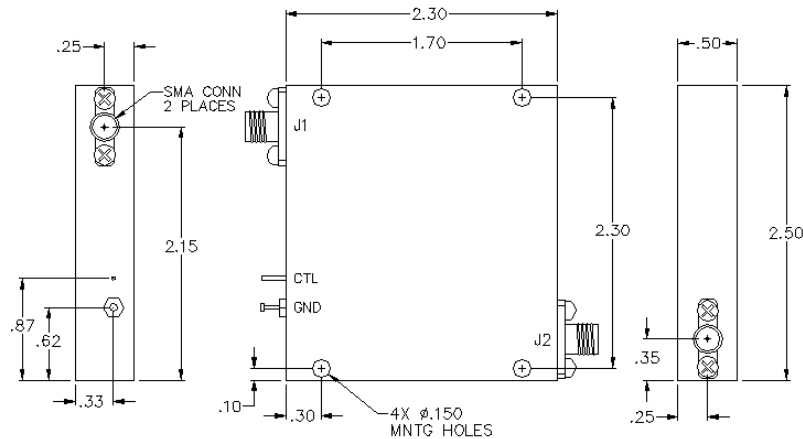
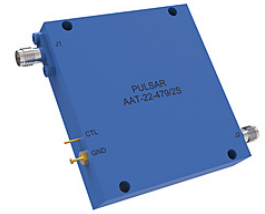


AAT-22-479/2S

VOLTAGE CONTROLLED ATTENUATOR



SPECIFICATIONS

Name: AAT-22-479/2S
Frequency Range: 2-8 GHz
Attenuation Range: 32 dB
Insertion Loss: 4.0 dB max.
VSWR: 2.00:1 max.
Connector Type: SMA

Control Voltage: 0 to +8 Volts typical.
Operating Power: ≤ 0 dBm
Power Handling: +27 dBm max.
Operating Temperature: -25°C to $+80^{\circ}\text{C}$

Harmonic distortion is affected by input power and frequency. Typical distortion is 50 dBc for input power less than 0.0 dBm. Two tone intermodulation products are typically 54 dBc for input power less than 0.0 dBm. These attenuators are bi-directional. Either J1 or J2 can be used as input.

Other Frequency bands and Attenuation ranges available.

This is a commercial off the shelf (COTS) product.
For an equivalent product that meets DFARS materials compliance, contact sales.
All specifications are subject to change without notice at any time. Rev: 170201

www.pulsarmicrowave.com · 48 Industrial St West, Clifton NJ 07012 · Tel: 973-779-6262 · Fax: 973-779-2727 · sales@pulsarmicrowave.com

ATTENUATOR ACCURACY VS. FREQUENCY

Bandwidth (2:1)		Bandwidth (4:1)	
Flatness (dB)	Attenuation (dB)	Flatness (dB)	Attenuation (dB)
± 0.5	0-10	± 0.6	0-10
± 0.8	0-20	± 1.2	0-20
± 1.2	0-30	± 1.8	0-30
± 1.5	0-40	± 2.2	0-40
± 2.2	0-64	± 3.5	0-64

PULSAR
MICROWAVE CORPORATION